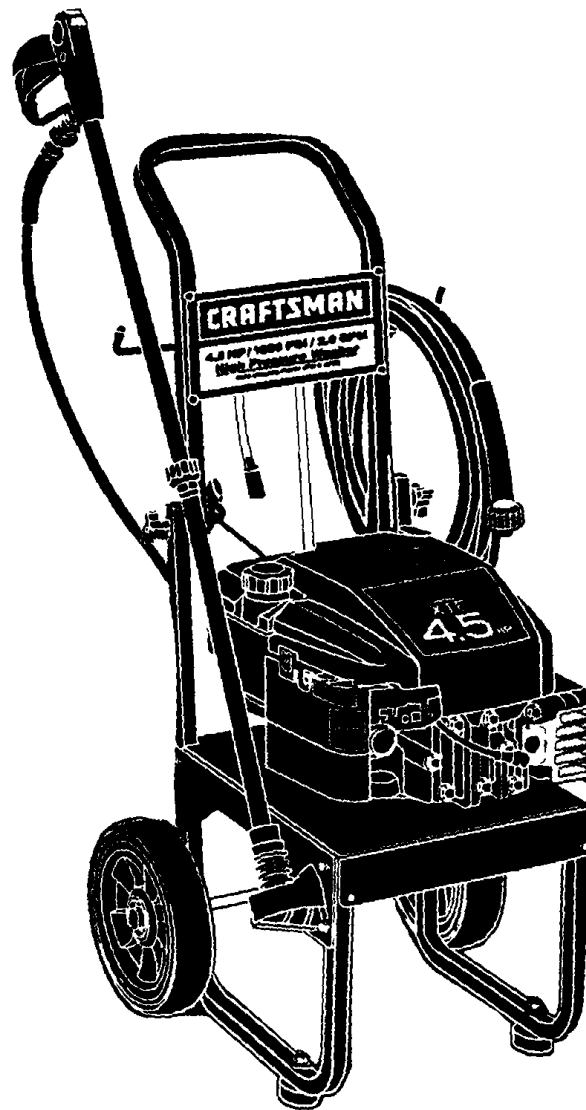


Mfg. No: 1050-0
580.761800, 1,800 PSI Craftsman



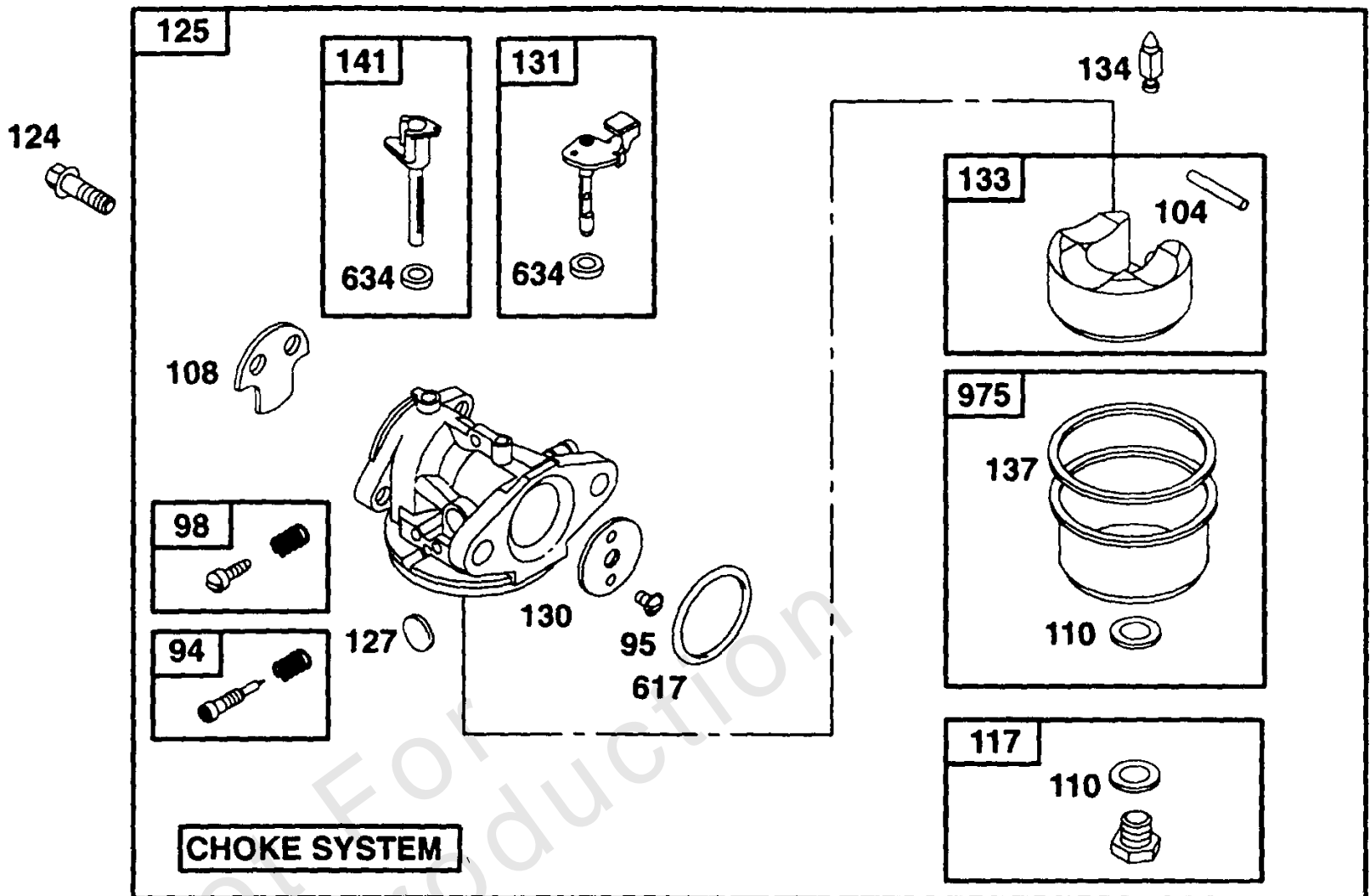
Model Components	Page
Carburetor.....	4
Engine Sump.....	6
Fuel Tank, Cover, and Linkage.....	8
Gaskets and Carburetor Kit.....	10
Mounting and Accessories.....	12
Piston Assembly.....	14
Starter.....	16
Starter Housing.....	18
Water Pump.....	20
Torque Specification Chart.....	22

Not For
Reproduction

Carburetor

Note: Unless noted otherwise, use the standard torque specifications

Mfg. No: 1050-0



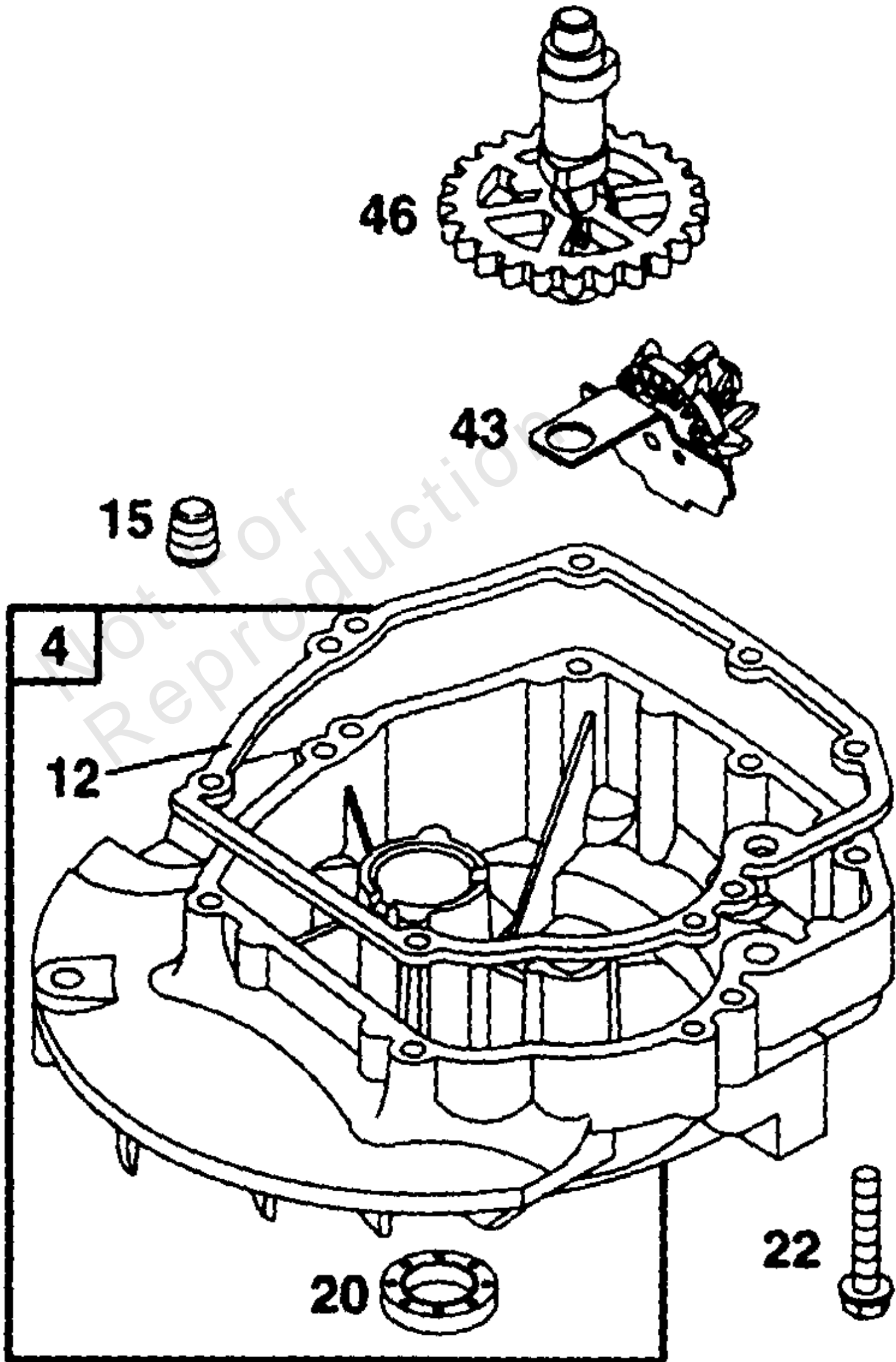
Carburetor

REF NO	PART NO	QTY	DESCRIPTION
94	493765		KIT-IDLE MIXTURE -Included in Carburetor Kit-Part Number 498260.
95	94098		Screw-Slotted
98	398185		KIT-IDLE SPEED
104	231371		Pin-Float Hinge -Included in Carburetor Kit-Part Number 498260.
108	223471		Valve-Choke
110	-----		Seal-O-Ring -(Sold in Kit Only); Included in Carburetor Kit-Part Number 498260; Included in Carburetor Gasket Set-Part Number 498261.
117	498978		Jet-Main (Standard)
	497315		Jet-Main (High Altitude)
124	94525		Screw-Hex.
125	499059		CARBURETOR
127	-----		Plug-Welch -(Sold in Kit Only); Included in Carburetor Kit-Part Number 498260.
130	223470		Valve-Throttle
131	493267		SHAFT-THROTTLE
133	398187		FLOAT-CARBURETOR
134	398188		KIT-NEEDLE/SEAT -(Includes Seat); Included in Carburetor Kit-Part Number 498260.
137	-----		Gasket-Float Bowl -(Sold in Kit Only); Included in Carburetor Kit-Part Number 498260; Included in Carburetor Gasket Set-Part Number 498261.
141	494218		Shaft-Choke
617	270344		Seal-Intake Manifold -Included in Carburetor Kit-Part Number 498260; Included in Carburetor Gasket Set-Part Number 498261.
634	-----		Washer -(Sold in Kit Only); Included in Carburetor Kit-Part Number 498260; Included in Carburetor Gasket Set-Part Number 498261.
975	493640		Bowl-Float

Engine Sump

Note: Unless noted otherwise, use the standard torque specifications

Mfg. No: 1050-0



Engine Sump

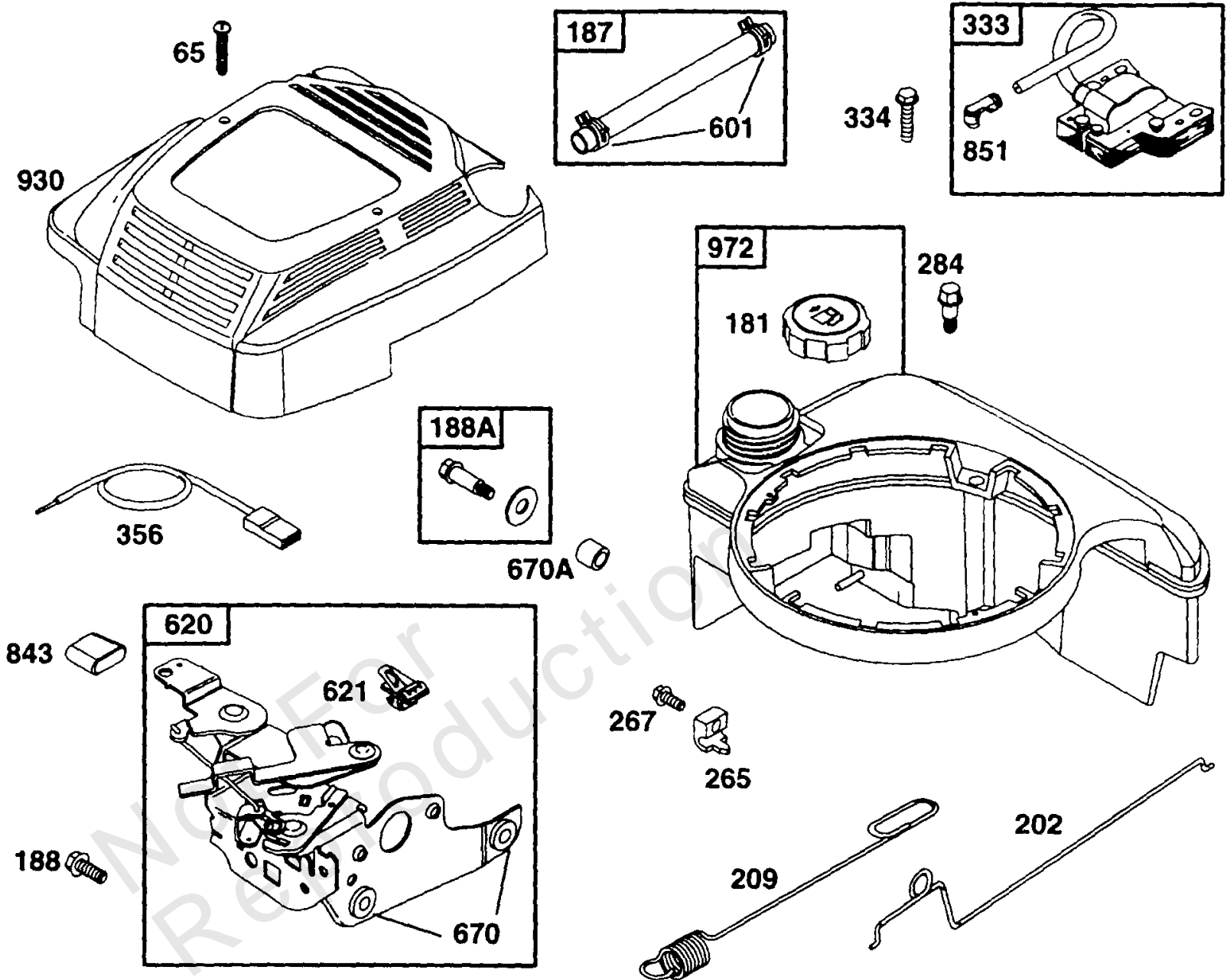
REF NO	PART NO	QTY	DESCRIPTION
4	493279		SUMP, Engine
12	272198		Gasket-Crankcase -Included in Gasket Set-Part Number 497316.
15	94720		Plug-Oil Drain
20	399781		Seal-Oil -Included in Gasket Set-Part Number 497316.
22	94220		SCREW
43	493737		Governor/Oil Slinger
46	498275		Gear-Cam

Not For Reproduction

Fuel Tank, Cover, and Linkage

Note: Unless noted otherwise, use the standard torque specifications

Mfg. No: 1050-0



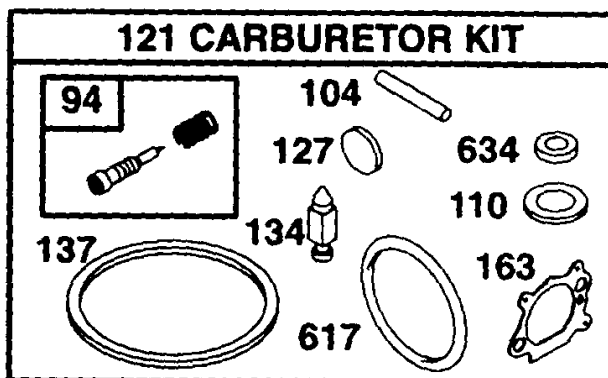
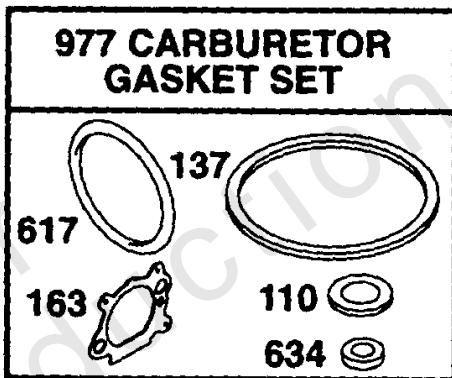
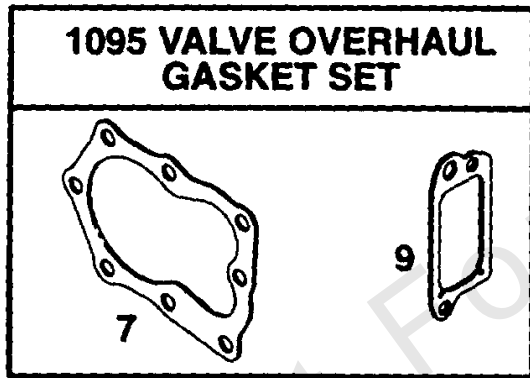
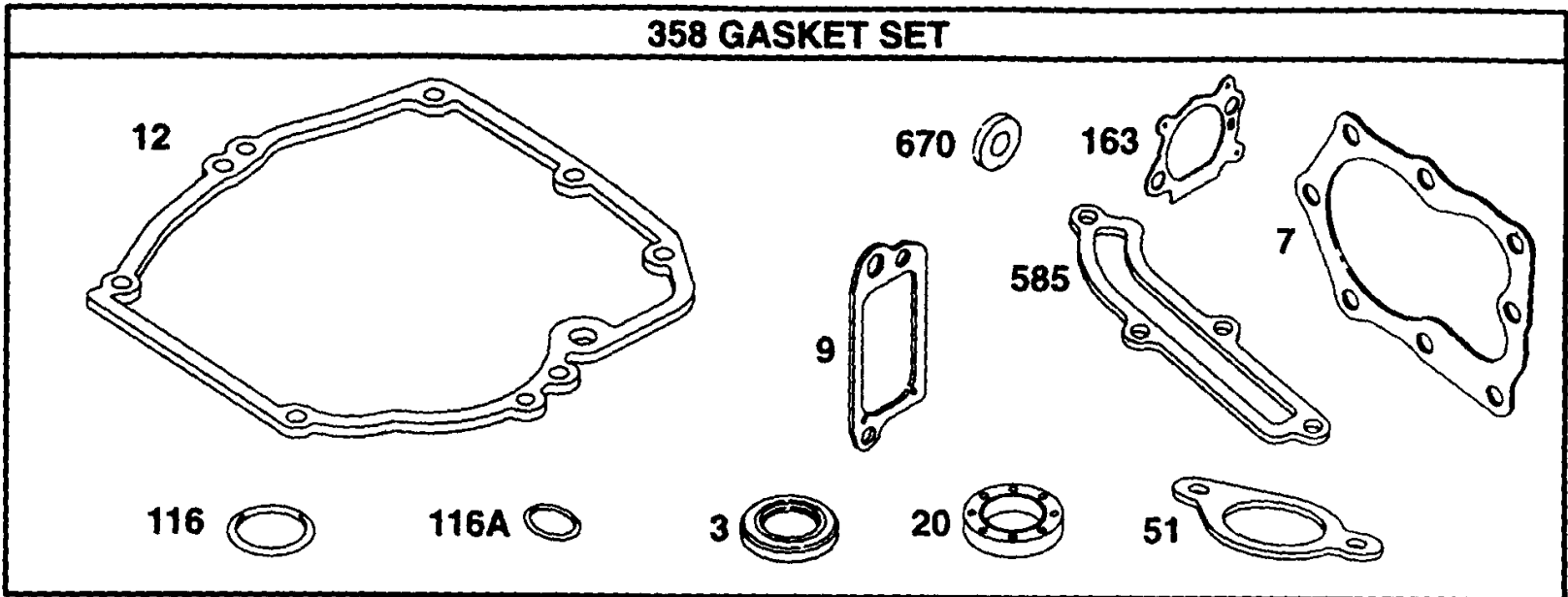
Fuel Tank, Cover, and Linkage

REF NO	PART NO	QTY	DESCRIPTION
65	94696		Screw-Phillips
181	397974		Cap-Fuel Tank
187	298049		Line-Fuel (Cut To Required Length)
188	94644		Screw-Hex
188A	398540		Screw-Shoulder
202	262579		Link-Mechanical Gov.
209	692488		Spring-Governor
265	213146		Clamp-Casing
267	94694		Screw-Slotted Hex.
284	94511		Screw-Shoulder
333	802574		Armature-Magneto
334	94731		Screw-Hex
356	497833		Wire-Stop
601	95162		Clamp-Hose (Green)
620	499737		Bracket-Control
621	396847		Switch-Stop
670	493823		Spacer -Included in Gasket Set-Part Number 497316.
670A	280512		Spacer-Fuel Tank
843	272616		Sleeve-Lever
851	-----		UNKNOWN
930	497233		COVER-BLOWER HSG
972	495224		Tank-Fuel

Gaskets and Carburetor Kit

Note: Unless noted otherwise, use the standard torque specifications

Mfg. No: 1050-0



Not For Reproduction

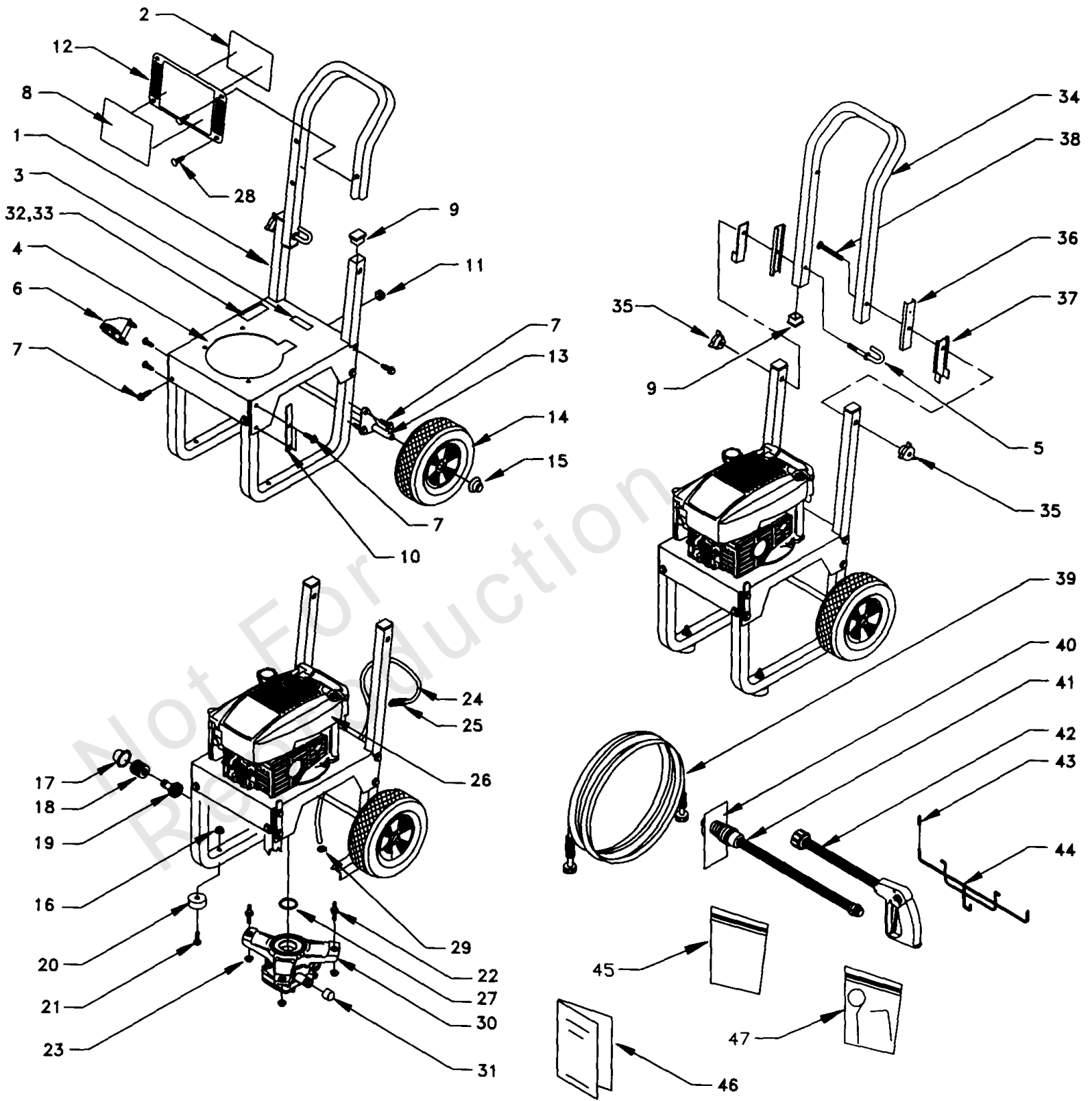
Gaskets and Carburetor Kit

REF NO	PART NO	QTY	DESCRIPTION
3	299819		Seal - Oil
7	272916		Gasket - Cylinder Head -Included in Gasket Set-Part Number 497316. Included in valve Overhaul Gasket-Part No. 498528.
9	272481		Gasket - Breather -Included in Gasket Set-Part Number 497316. Included in valve Overhaul Gasket-Part No. 498528.
12	272198		Gasket - Crankcase -Included in Gasket Set-Part Number 497316.
20	399781		Seal - Oil -Included in Gasket Set-Part Number 497316.
51	272199		Gasket - Intake -Included in Gasket Set-Part Number 497316.
94	493765		KIT-IDLE MIXTURE -Included in Carburetor Kit-Part Number 498260.
104	231371		Pin - Float Hinge -Included in Carburetor Kit-Part Number 498260.
110	-----		Washer - Bowl -(Sold in Kit Only); Included in Carburetor Kit-Part Number 498260. Included in Carburetor Gasket Set-Part Number 498261.
116	280393		Seal - O-Ring -Included in Gasket Set-Part Number 497316.
116A	280966		Seal - O-Ring -Included in Gasket Set-Part Number 497316.
121	498260		Carburetor Kit
127	-----		Plug - Welch -(Sold in Kit Only); Included in Carburetor Kit-Part Number 498260.
134	398188		KIT-NEEDLE/SEAT -(Includes Seat); Included in Carburetor Kit-Part Number 498260.
137	-----		Gasket - Bowl -(Sold in Kit Only); Included in Carburetor Kit-Part Number 498260. Included in Carburetor Gasket Set-Part Number 498261.
163	272653		Gasket - Air Cleaner -Included in Gasket Set-Part Number 497316. Included in Carburetor Kit-Part Number 498260. Included in Carburetor Gasket Set-Part Number 498261.
358	497316		Gasket Set
585	272238		GASKET, Breather Passage -Included in Gasket Set-Part Number 497316.
617	270344		Seal - Intake Manifold -Included in Carburetor Kit-Part Number 498260. Included in Carburetor Gasket Set-Part Number 498261.
634	-----		Washer - Shaft -(Sold in Kit Only); Included in Carburetor Kit-Part Number 498260. Included in Carburetor Gasket Set-Part Number 498261.
670	493823		Spacer -(Includes 2); Included in Gasket Set-Part Number 497316.
977	498261		Gasket Set - Carburetor
1095	498528		Gasket Set - Valve Overhaul

Mounting and Accessories

Note: Unless noted otherwise, use the standard torque specifications

Mfg. No: 1050-0



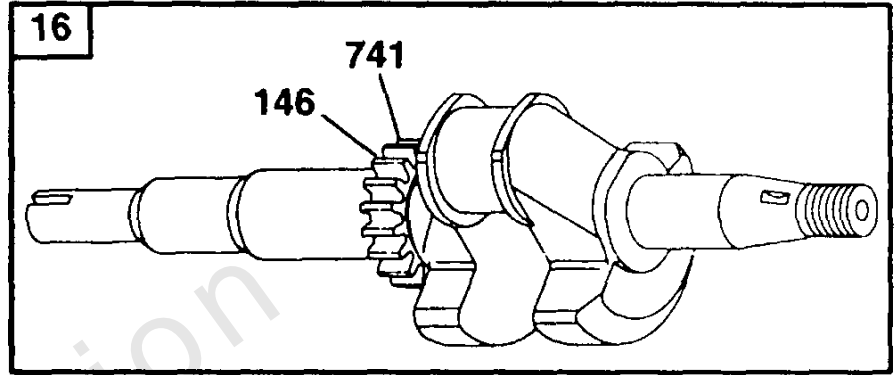
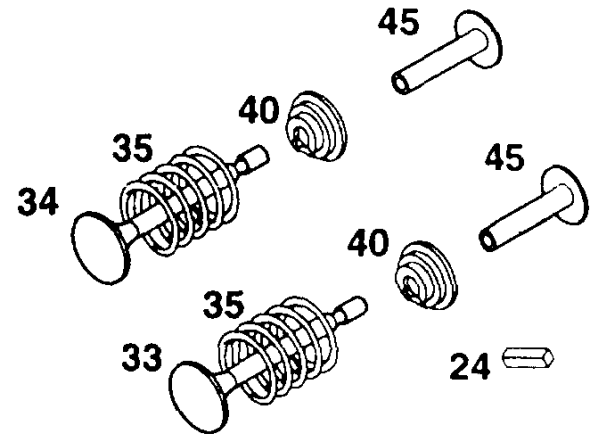
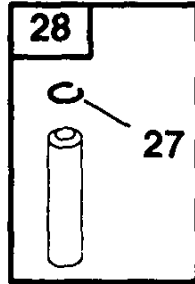
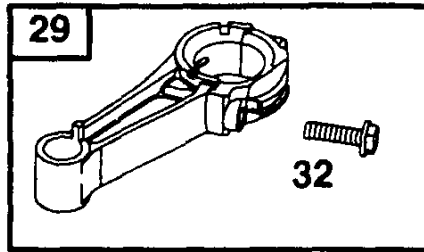
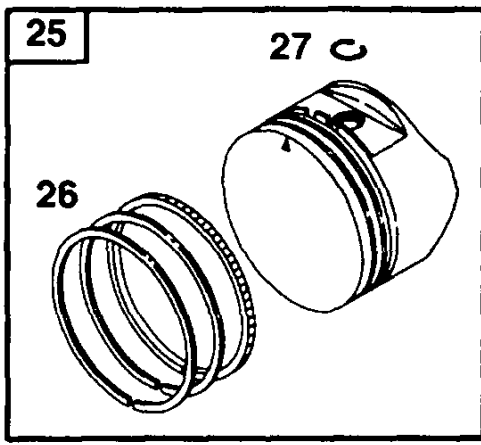
Mounting and Accessories

REF NO	PART NO	QTY	DESCRIPTION
1	21416D	2	LEG, VS PW
2	B2200	1	DECAL, Instructions
3	96307	1	DECAL, 1-800 Number
4	B1793D	1	BASE, VSPW
5	97998	1	BOLT, Eye
6	97769	1	CUP, Gun
7	20441	16	SCREW, 1/4" - 14 Self Driller
8	B1819	1	DECAL, Logo 1800 PSI
9	81895	4	CAP, Tubing 3/4" square
10	B1024D	1	GUARD, Hose
11	30809	1	GROMMET, Chem Hose
12	B1786	1	BILLBOARD
13	97741	1	ASSY, PW Axle
14	21206	2	TIRE, 2" X 8" Black Mag
15	75402	2	PUSHNUT, 1/2"
16	52858	2	NUT, M8 Locking Flange
17	A1408	1	CAP, Quick Disconnect
18	21782	1	QUICK DISCONNECT, Female
19	21781	1	QUICK DISCONNECT, Male
20	87841	2	MOUNT, Rubber Foot
21	39414	2	HHCS, M8 X 1.25 X 35 Long
22	B1735	3	STUD, Double Ended
23	B1880	3	NUT, with Washer
24	A1040B	1	HOSE, Chemical
25	A1041	1	FILTER, Chemical Hose
26	B1820	1	ENGINE, B & S 4.5 HP Quantum
27	98300	1	SEAL, Engine Donut
28	B1797	4	FASTENER, Clip
29	48031G	1	CLAMP, Hose 3/16"
30	-----	1	ASSY, Pump EG w/ Thermal -(For replacement, order 209940GS)
30	209940GS	1	REPLACEMENT PUMP ASSEMBLY
31	97100	1	CAP, High Pressure
32	91373	1	DECAL, Data
33	79552	1	OVERLAMINATE, Decal
34	B2157D	1	HANDLE, VS PW
35	97178	2	KNOB, PW Handle
36	99368	2	PLATE, S.S Wear
37	97082	2	CLIP, Holding Handle
38	97912	1	BOLT, 1/4"-20 X 2.25" Carriage
39	B1969	1	HOSE, 1/4" X 25'
40	97566	1	HANG TAG, Nozzle
41	98317B	1	WAND, Adjustable Nozzle
42	98541	1	GUN, High Pressure
43	B1459	2	CAP, Vinyl Black
44	21208	1	WIREFORM
45	B2382	1	KIT, Maintenance O-Ring
46	B1818	1	MANUAL
47	97009	1	KIT, Cleaning Nozzle

Piston Assembly

Note: Unless noted otherwise, use the standard torque specifications

Mfg. No: 1050-0



Not For
Reproduction

Piston Assembly

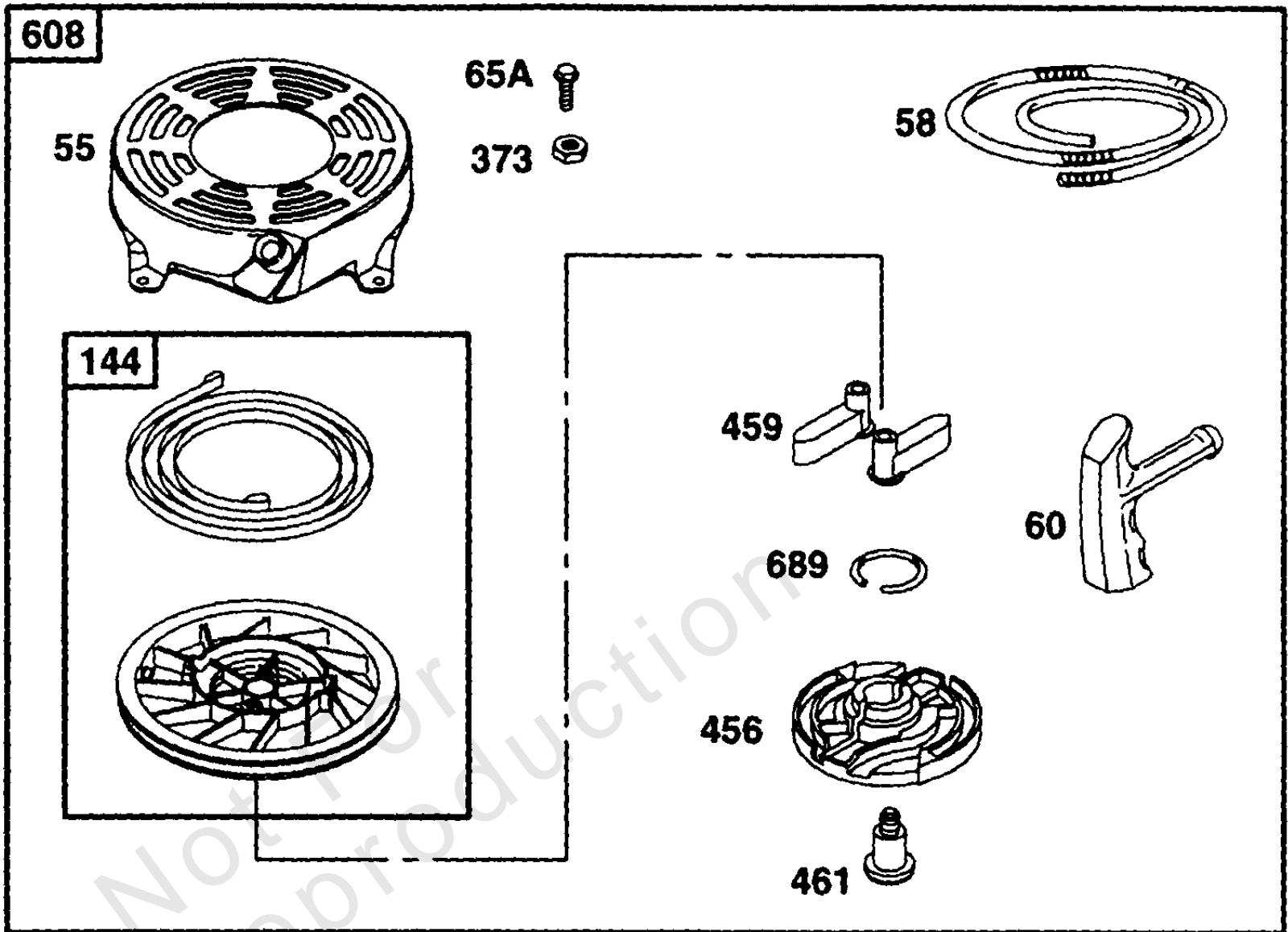
REF NO	PART NO	QTY	DESCRIPTION
16	498571		CRANKSHAFT
24	222698		Key - Flywheel
25	499429		Piston Assembly (Standard)
26	499425		Ring Set (Standard)
27	263190		Lock - Piston Pin
28	499423		PIN-PISTON/STD
29	499424		Rod - Connecting (Standard)
32	94699		Screw - Hex.
33	262651		Valve - Exhaust
34	262652		Valve - Intake
35	262224		Spring - Valve
40	93312		Retainer - Valve
45	262204		Tappet - Valve
146	94388		Key - Timing
741	262598		Gear - Timing

Not For Reproduction

Starter

Note: Unless noted otherwise, use the standard torque specifications

Mfg. No: 1050-0



Starter

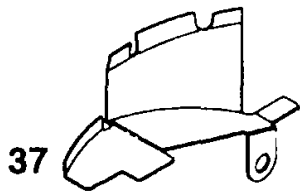
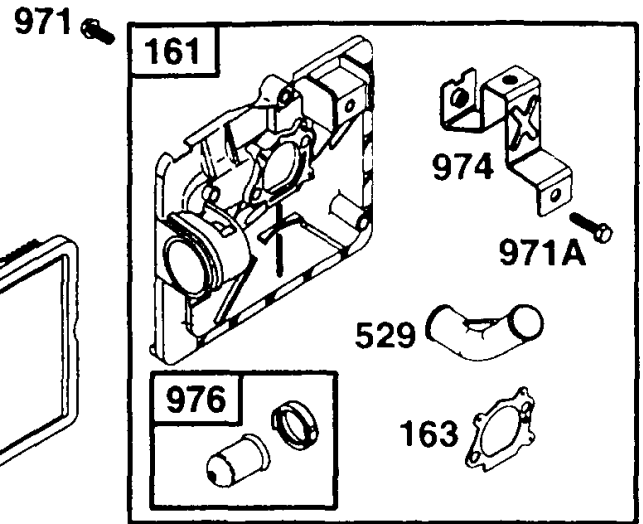
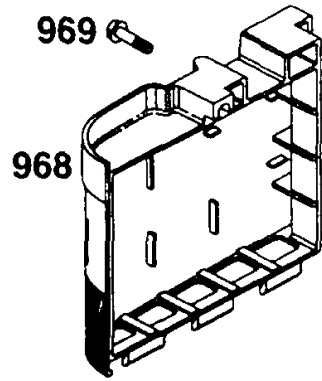
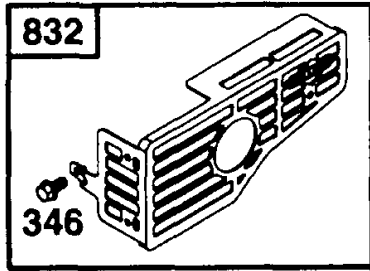
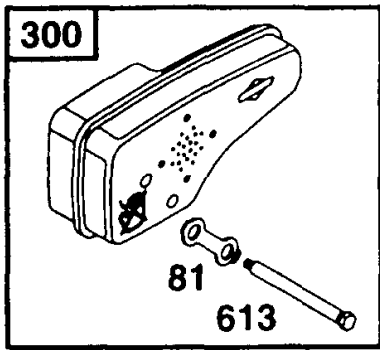
REF NO	PART NO	QTY	DESCRIPTION
55	497440		Housing - Rewind Starter
58	280399		Rope - Starter (Cut To Required Length)
60	281434		Grip - Starter Rope
65A	94686		Screw - Hex.
144	498144		PULLEY/SPRING ASSY
373	92987		Nut - Hex.
456	281503		Retainer - Spring
459	281505		Pawl - Ratchet
461	94943		Screw - Shoulder
608	497680		Starter - Rewind
689	263073		Spring - Friction

Not For Reproduction

Starter Housing

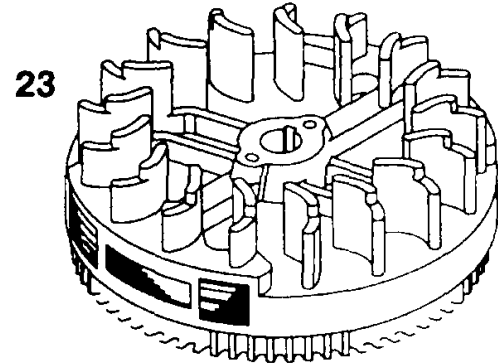
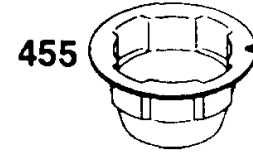
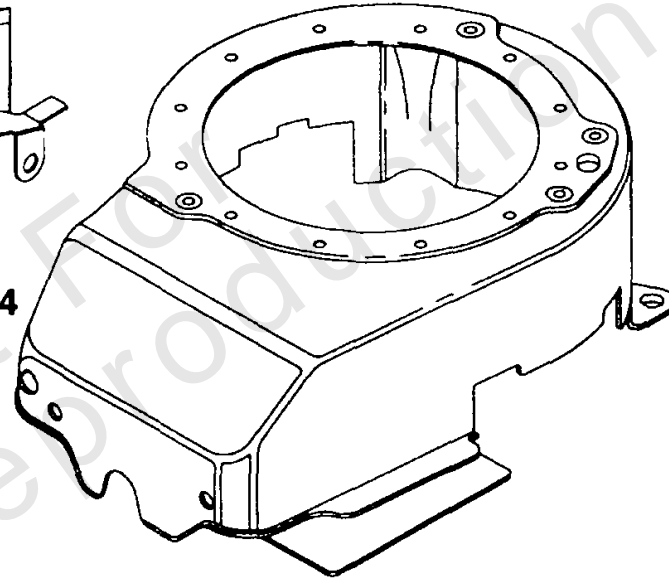
Note: Unless noted otherwise, use the standard torque specifications

Mfg. No: 1050-0



304

305



1036 LABEL KIT-EMISSION

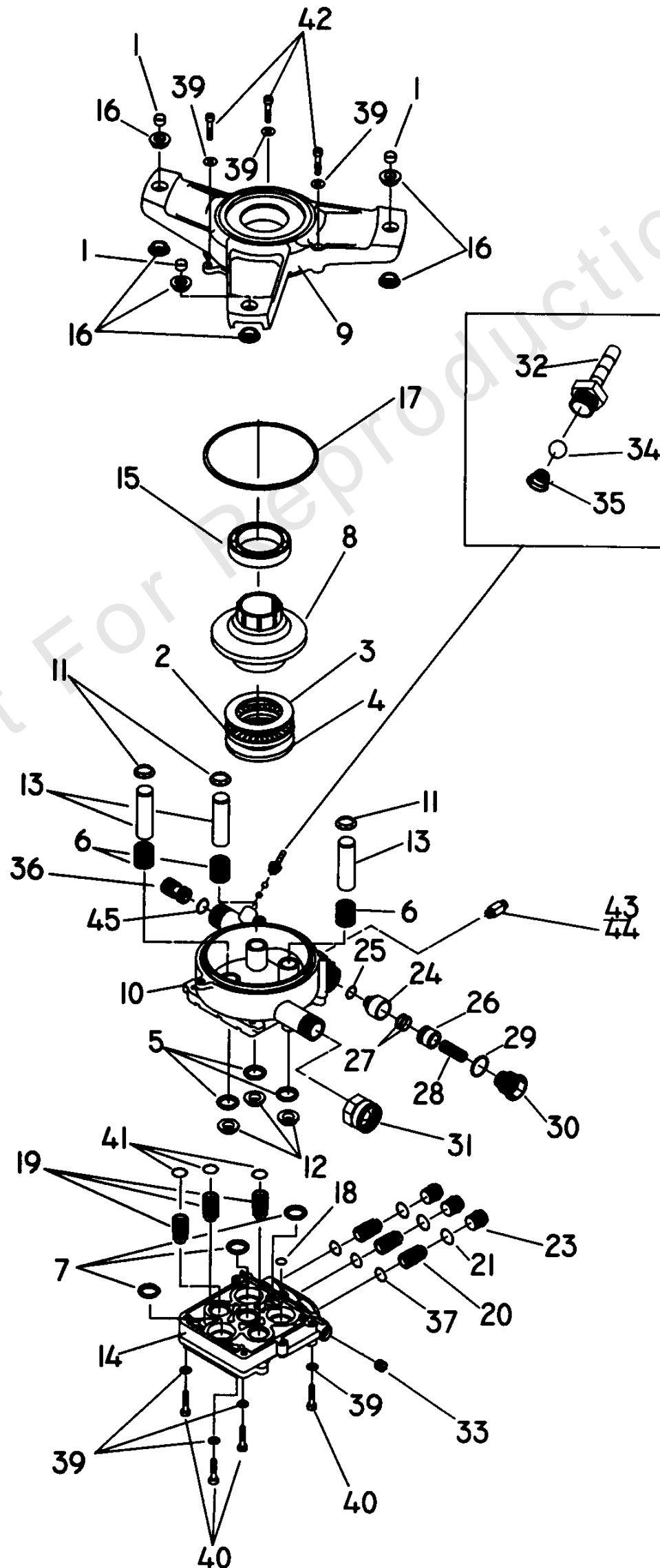
Starter Housing

REF NO	PART NO	QTY	DESCRIPTION
23	492893		Flywheel
37	224511		Guard - Flywheel
81	223664		Lock - Muffler Screw
161	496116		Base - Air Cleaner
163	272653		Gasket - Air Cleaner -(Included in Gasket Set-Part Number 497316) (Included in Carburetor Kit-Part Number 498260) (Included in Valve Overhaul Gasket Set-Part No. 498528)
300	496106		Muffler - Exhaust
304	493294		Housing - Blower
305	94744		Screw - Hex.
332	92284		Nut - Flywheel
346	94602		Screw - Hex.
455	225121		Cup - Flywheel
529	281299		GROMMET
613	94231		Screw - Shoulder
832	494224		GUARD, Muffler
967	491588		Filter - Air
968	281340		Cover - Air Cleaner
969	94872		Screw - Slotted Hex.
971	94873		Screw - Hex.
971A	94749		Screw - Hex.
974	224815		Bracket-Support
976	496115		Primer - Carburetor
1036	499341		Lable Kit - Emission

Water Pump

Note: Unless noted otherwise, use the standard torque specifications

Mfg. No: 1050-0



Water Pump

REF NO	PART NO	QTY	DESCRIPTION
1	96795	3	SLEEVE, RUBBER GROMMET SPACER
2	B2310	1	ASSY., CAGE NEEDLE BEARING 45 X 65
3	B2310	1	WASHER, BRG. DIA. 45 x 65 x 1T
4	B2310	1	WASHER, BRG. DIA. 36 x 65 x 6T -[SPECIAL]
5	B1933	3	SEAL, OIL PISTON DIA. 15
6	B2312	3	SPRING, PISTON RETURN - EG
7	B1933	3	SEAL, U-CLIP
8	B2310	1	CAM, AXIAL 5.6mm w/INSERT
9	98227	1	ADAPTER, ENGINE
10	20110	1	HOUSING, PISTON AND UNLOADER
11	B2312	3	RETAINER, PISTON SPRING
12	B1933	3	SPACER, PILOT
13	B2312	3	PISTON, DIA. 15-65 LONG
14	A1111B	1	HEAD, PUMP
15	B2310	1	BEARING, BALL RADIAL
16	21429	6	BUSHING, RUBBER
17	B1933	1	"O" RING, HOUSING SEAL
18	B1933	1	"O" RING, HI-PRESSURE TRANSFER
19	B2313	3	ASS'Y, CHECK VALVE - INLET
20	B2313	3	ASS'Y, CHECK VALVE - OUTLET
21	B1933	3	"O" RING, INLET PORT CAP
23	97841	3	CAP, INLET PORT
24	B1669	1	SEAT, UNLOADER
25	B1933	1	"O" RING, UNLOADER VENTURI
26	B1669	1	PISTON, UNLOADER
27	B1933	2	SEAL, UNLOADER "PARBACK"
28	B1669	1	SPRING, UNLOADER
29	B1933	1	"O" RING, UNLOADER CAP
30	B1669	1	CAP, UNLOADER
31	21424	1	GARDEN HOSE CONNECTOR
32	B2311	1	BARB, HOSE WITH NYLON INSERT
33	96137	1	PLUG, 1/8" NPT [WITH SEALANT]
34	B1933	1	BALL, DIA. 5.5 CHEMICAL INJECTOR
35	B1933	1	SPRING, CHEMICAL INJECTOR
36	B2311	1	VENTURI, CHEMICAL INJECTOR
37	B1933	3	"O" RING, CHECK VALVE - INLET
39	93873	7	LOCK WASHER, M6 RIBBED
40	40946	4	SOCKET HEAD CAPSCREW M6-1.0 x 35mm
41	B1933	3	"O" RING PISTON HOUSING
42	97962	3	SOCKET HEAD CAPSCREW, M6-1.0 x 25mm
43	21783	1	THERMAL RELIEF
44	20876	0	.5 OZ. SEALANT, THREAD LOCKTIGHT 545
45	B1933	1	"O" RING VENTURI
46	B1933	1	ENGINE DONUT SEAL

Hardware Identification & Torque Specifications

Torque Specification Chart								
FOR STANDARD METRIC MACHINE HARDWARE (Tolerance ± 20%)								
Property Class	5.6		8.8		10.9		12.9	
	Class 5.6		Class 8.8		Class 10.9		Class 12.9	
Size Of Hardware	in/lbs	Nm.	in/lbs	Nm.	in/lbs	Nm.	in/lbs	Nm.
	ft/lbs		ft/lbs		ft/lbs		ft/lbs	
M3	5.88	.56	13.44	1.28	19.2	1.80	22.92	2.15
M4	13.44	1.28	30.72	2.90	43.44	4.10	52.56	4.95
M5	26.4	2.50	60.96	5.75	5.97	8.10	7.15	9.7
M6	44.64	4.3	7.3	9.9	10.3	14	12.1	16.5
M7	5.2	7.1	12.1	16.5	16.9	23	19.9	27
M8	7.7	10.5	17.7	24	25	34	29	40
M10	15	21	35	48	50	67	59	81
M12	26	36	61	83	86.2	117	103	140
M14	42	58	101	132	136	185	162	220
M16	64	88	147	200	210	285	250	340
M18	89	121	202	275	287	390	346	470
M20	126	171	290	390	405	550	486	660
M22	169	230	390	530	559	745	656	890
M24	217	295	497	375	708	960	840	1140
M27	320	435	733	995	1032	1400	1239	1680
M30	435	590	995	1350	1401	1900	1681	2280
M33	590	800	1349	1830	1902	2580	2278	3090
M36	759	1030	1740	2360	2441	3310	2935	3980
M39	988	1340	2249	3050	3163	4290	3798	5150

Torque Specification Chart						
FOR STANDARD MACHINE HARDWARE (Tolerance ± 20%)						
Hardware Grade	No Marks		SAE Grade 5		SAE Grade 8	
	SAE Grade 2		SAE Grade 5		SAE Grade 8	
Size Of Hardware	in/lbs	Nm.	in/lbs	Nm.	in/lbs	Nm.
	ft/lbs		ft/lbs		ft/lbs	
8-32	19	2.1	30	3.4	41	4.6
8-36	20	2.3	31	3.5	43	4.9
10-24	27	3.1	43	4.9	60	6.8
10-32	31	3.5	49	5.5	68	7.7
1/4-20	66	7.6	8	10.9	12	16.3
1/4-28	76	8.6	10	13.6	14	19.0
5/16-18	11	15.0	17	23.1	25	34.0
5/16-24	12	16.3	19	25.8	29	34.0
3/8-16	20	27.2	30	40.8	45	61.2
3/8-24	23	31.3	35	47.6	50	68.0
7/16-14	30	40.8	50	68.0	70	95.2
7/16-20	35	47.6	55	74.8	80	108.8
1/2-13	50	68.0	75	102.0	110	149.6
1/2-20	55	74.8	90	122.4	120	163.2
9/16-12	65	88.4	110	149.6	150	204.0
9/16-18	75	102.0	120	163.2	170	231.2
5/8-11	90	122.4	150	204.0	220	299.2
5/8-18	100	136	180	244.8	240	326.4
3/4-10	160	217.6	260	353.6	386	525.0
3/4-16	180	244.8	300	408.0	420	571.2
7/8-9	140	190.4	400	544.0	600	816.0
7/8-14	155	210.8	440	598.4	660	897.6
1-8	220	299.2	580	788.8	900	1,244.0
1-12	240	326.4	640	870.4	1,000	1,360.0

The guides and ruler furnished below are designed to help you select the appropriate hardware.



Nut, M8

Thread Diameter (mm)

Inside Diameter (in) Threads per inch

Nut, 1/2-16



Screw, M8- 1.25 x 25

Thread Diameter (mm) Distance between threads (mm) Body Length (mm)

Body Diameter Threads per inch Body Length (in)

Screw, 1/2- 16 x 2



Standard Hardware Sizing

When a washer or nut is identified as 1/2" (M8), this is the *Nominal size*, meaning the *inside diameter* is 1/2 inch (8mm metric thread diameter); if a second number is present it represents the *threads per inch* (distance between threads).

When bolt or capscrew is identified as 1/2 - 16 x 2" (M8 - 1.25 x 50), this means the *Nominal size*, or body diameter is 1/2 inch (8mm metric thread diameter), the second number, 16, represents the *threads per inch*, (*distance between threads*). The final number is the body length of the bolt or screw, 2 inches (50mm).

NOTES

- These torque values are to be used for all hardware excluding: locknuts, self-tapping screws, thread forming screws, sheet metal screws and socket head setscrews.
- Recommended seating torque values for locknuts:
 - for prevailing torque locknuts - use 65% of grade 5 torques.
 - for flange whizlock nuts and screws - use 135% of grade 5 torques.
- Unless otherwise noted on assembly drawings, all torque values must meet this specification.

Common Hardware Types

Hex Head Capscrew



Washer



Carriage Bolt



Hex Nut

Wrench & Fastener Size Guide

1/4" Bolt or Nut Wrench—7/16"	5/16" Bolt or Nut Wrench—1/2"	3/8" Bolt or Nut Wrench—9/16"	7/16" Bolt or Nut Wrench (Bolt)—5/8" Wrench (Nut)—11/16"	1/2" Bolt or Nut Wrench—3/4"
M6 Bolt or Nut Wrench—10mm	M8 Bolt or Nut Wrench—13mm	M10 Bolt or Nut Wrench—17mm	M12 Bolt or Nut Wrench—19mm	M14 Bolt or Nut Wrench—22mm

CRAFTSMAN®